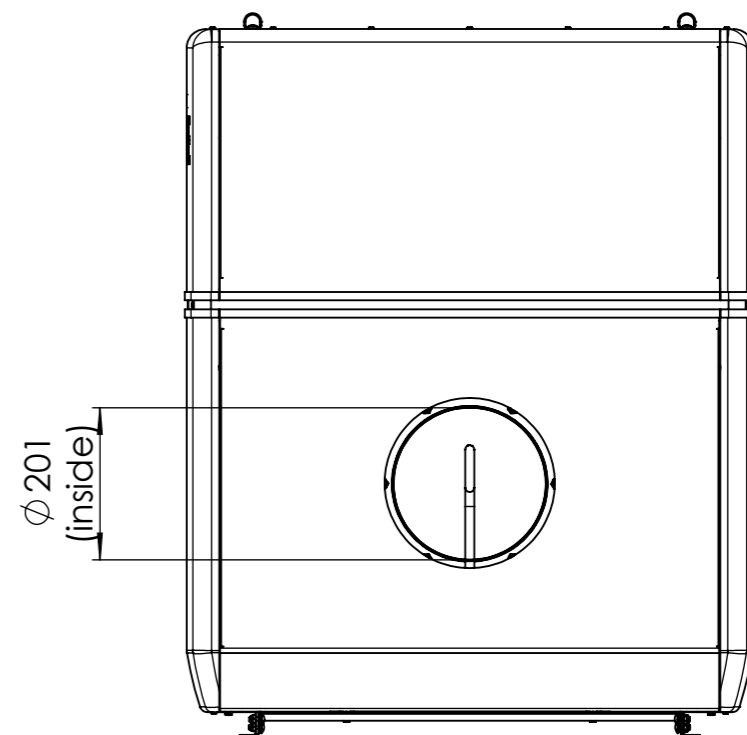
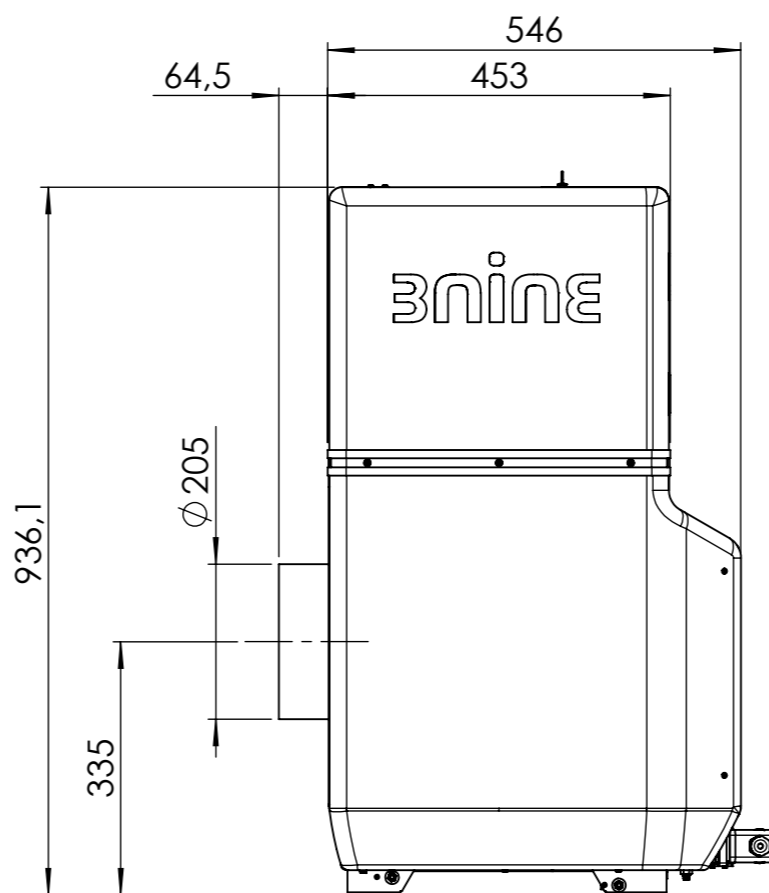
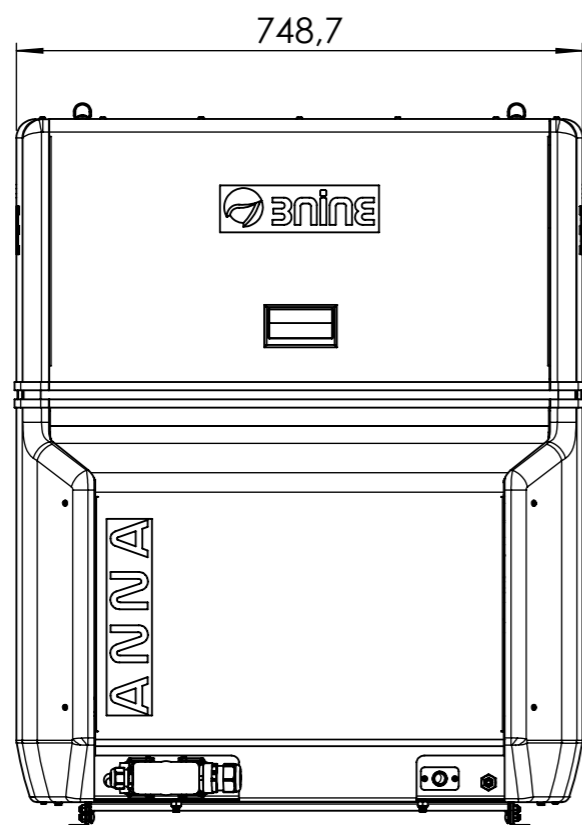
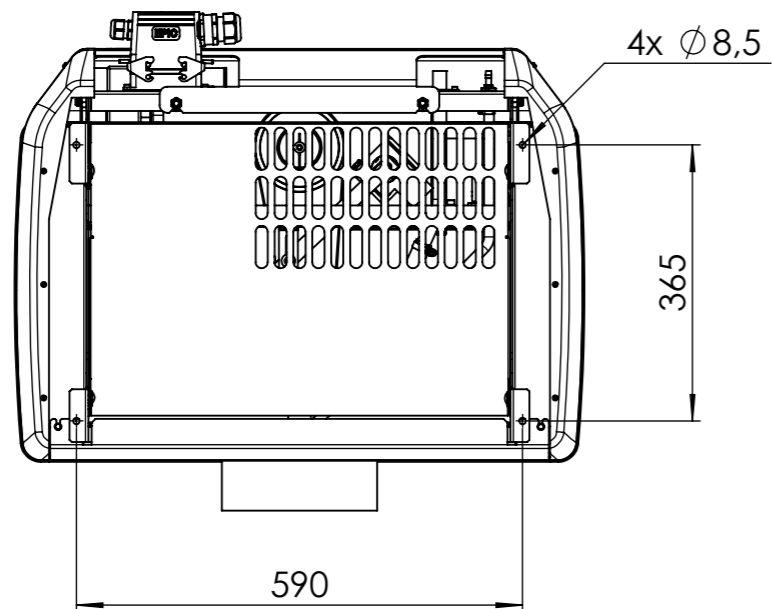
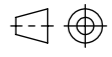


This document is property of 3nine AB, and may not without our written permission be copied, imparted to a third party or used for any unauthorized purpose.



Surface conditioning		Heat treatment			Scale 1:10
General tolerance SS-ISO 2768		General roughness, Ra Asm.			
Drawn	120712	Sign	JSg	<h2 style="text-align: center;">ANNA Assembly Dimension drawing</h2>	
Check.		Sign			
3nine		Article nr.			
				DD142-400	Mod. A

A B C D E F G H

6
5
4
3
2
1