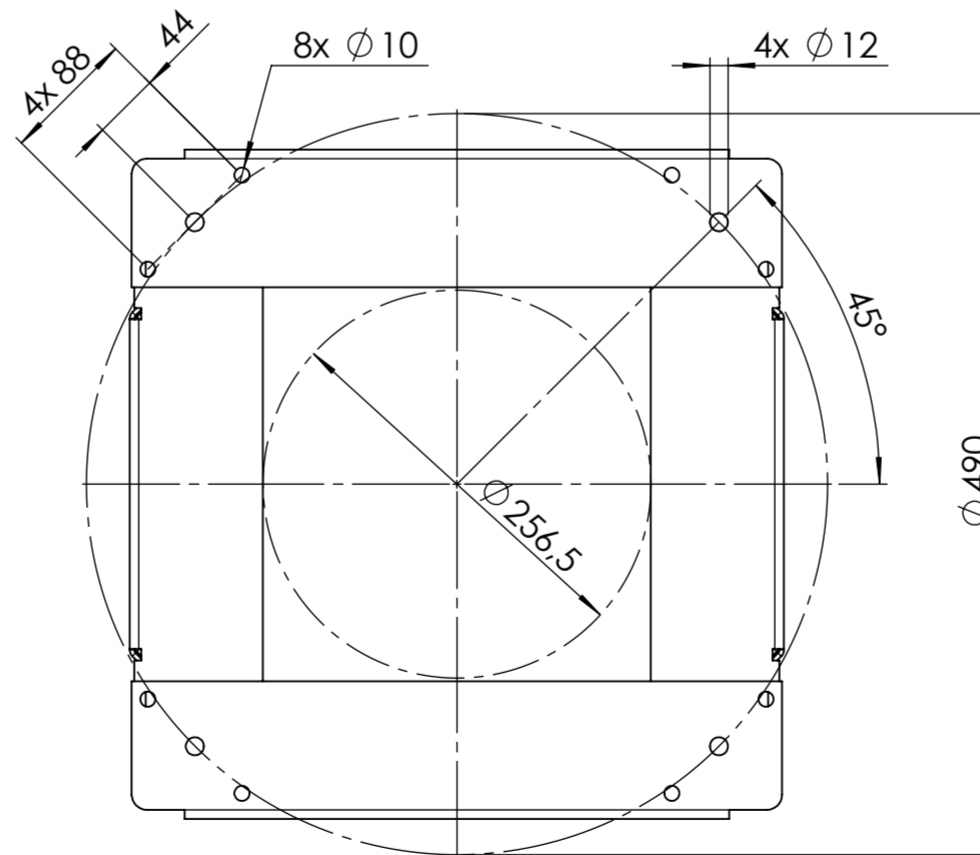
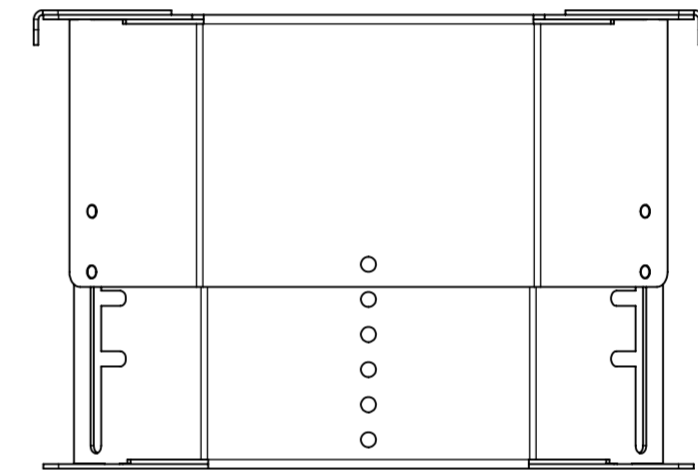
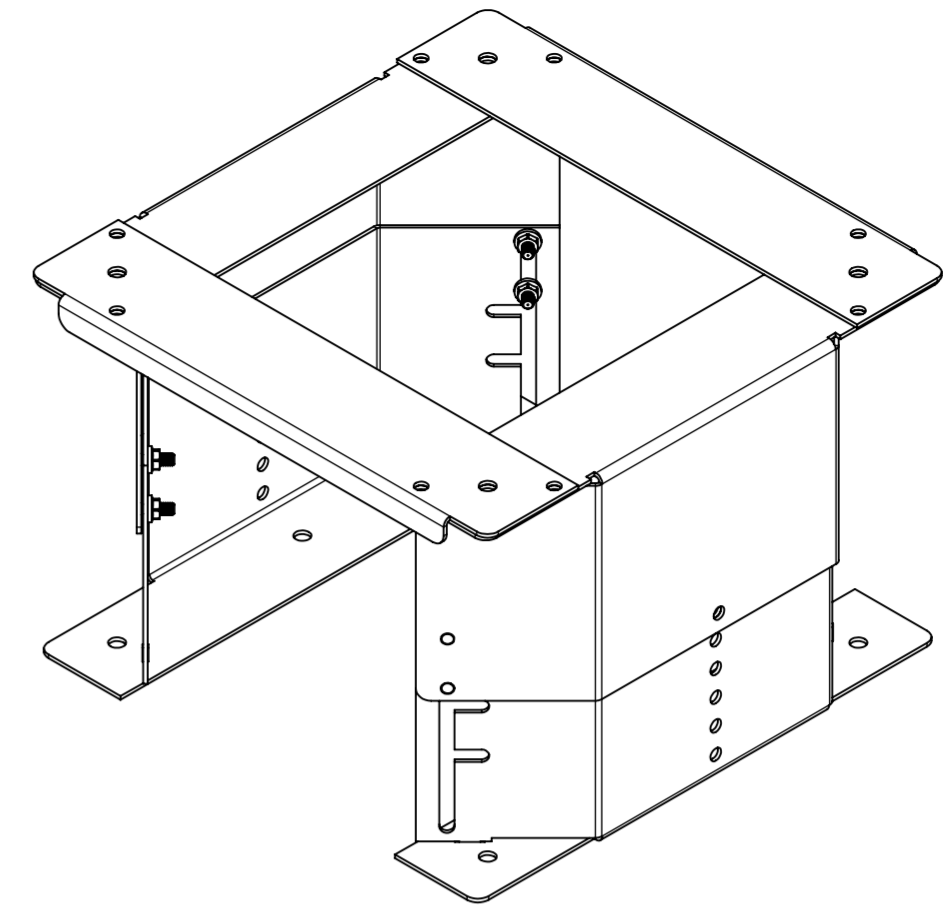
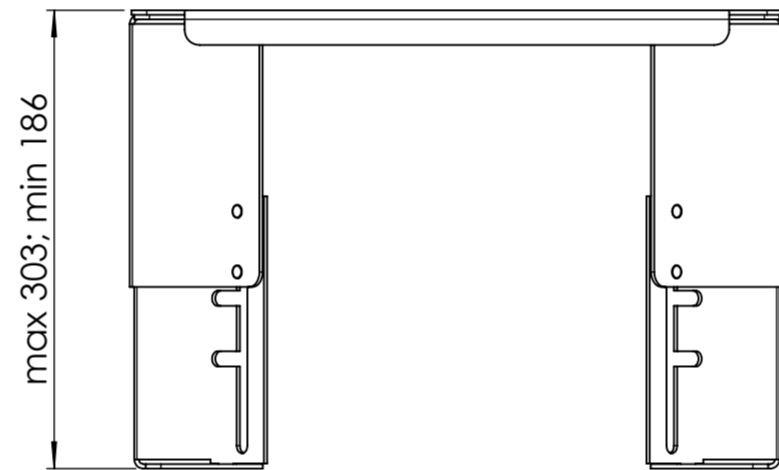
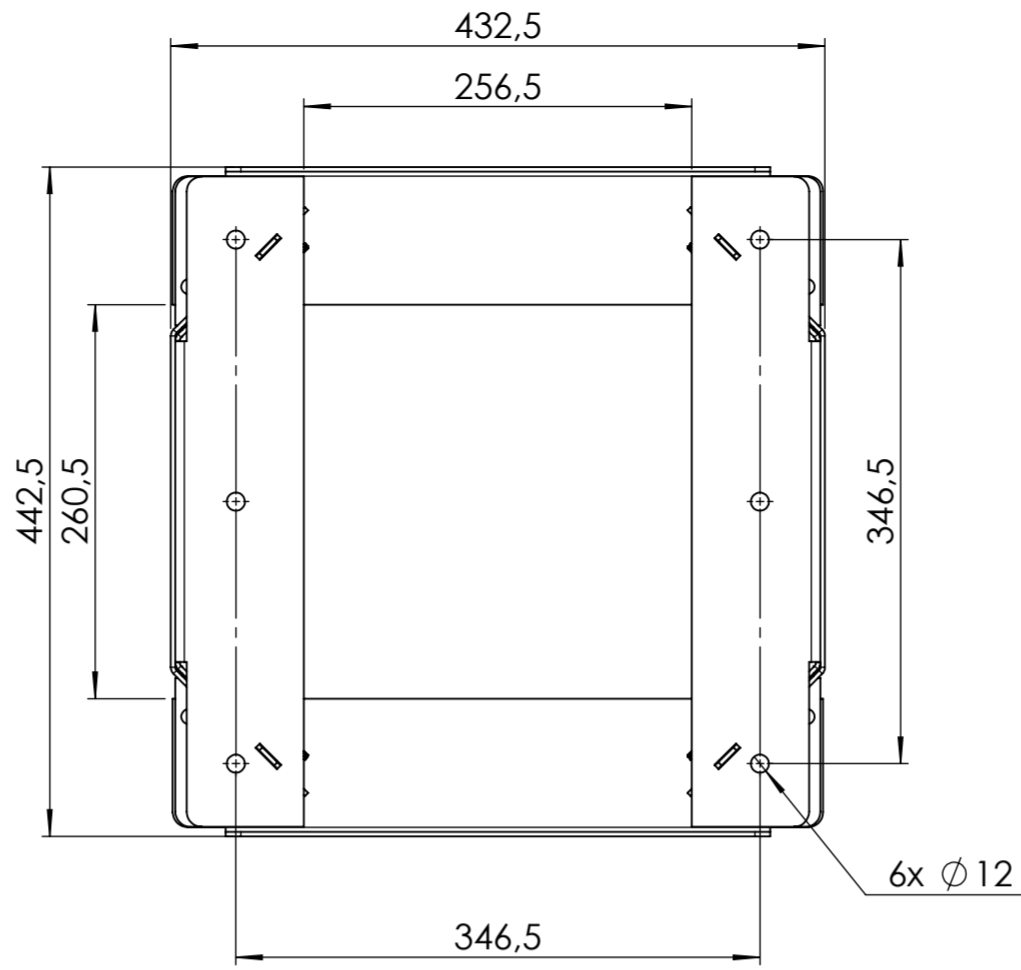
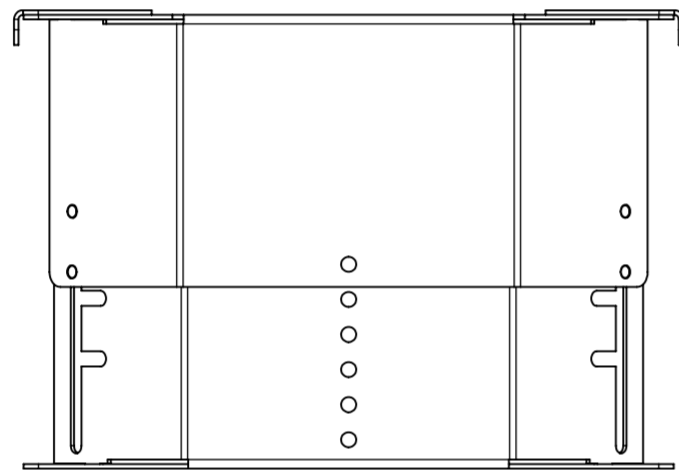


This document is property of 3nine AB and may not without our written permission be copied, imparted to a third party or used for any unauthorized purpose.



Surface conditioning	Heat treatment	Scale 1:5
General tolerance SS-ISO 2768	General roughness, Ra Asm.	
Drawn 1111219 Sign JSg	Denomination	Adjustable stand Dimension drawing CLARA; PETRA, LINA
Check. Sign		
3nine	Article nr.	Sheet 1 of 1
	CLR1000-202	Mod.
	Drawing nr.	DD CLR1000-202

A B C D E F G H I J K L

8
7
6
5
4
3
1